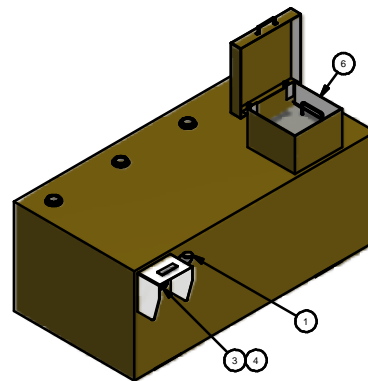
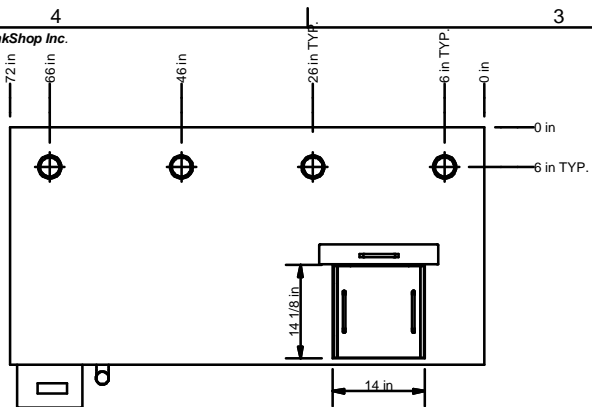


Manufactured by **TheTankShop Inc.**



REVISION HISTORY

REV	DESCRIPTION	DATE	APPROVED
1	RELOCATE SPILL BOX & FITTINGS	2012-03-15	ED

MATERIAL SPECIFICATION	
ITEM	MATERIAL
STORAGE TANK	
HEADS & SHELL	CARBON STEEL, 44W or equivalent
SADDLES (fully welded)	CARBON STEEL, 44W or equivalent
BODY FLANGE OPENING(S)	ASME SA181-70

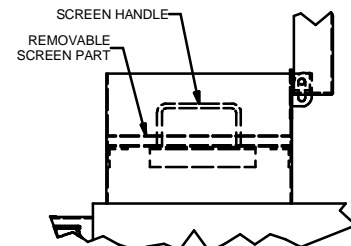
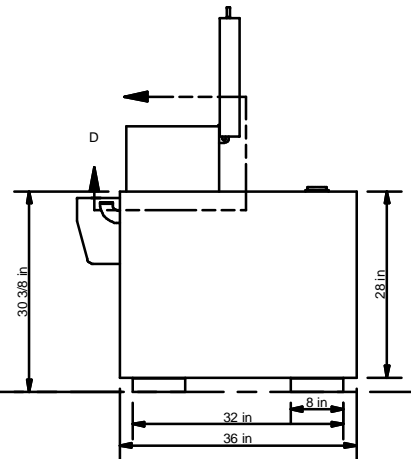
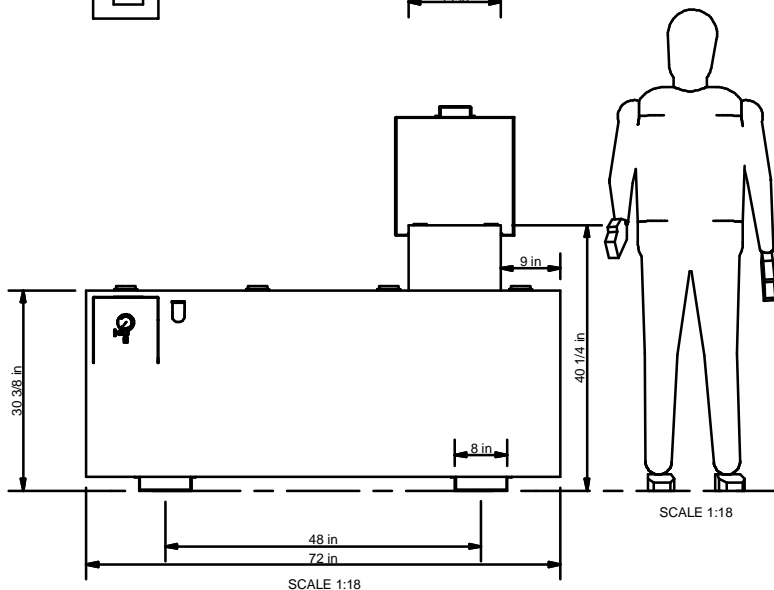
TABLE OF CONNECTIONS					
ITEM	SIZE	SCH.	DESCRIPTION	TYPE	REINF. PAD
A	2 in	N/A	FEMALE N.P.T. OPENING	BODY FLANGE	N/A

TABLE OF ACCESSORIES				
ITEM	QTY	DESCRIPTION	SIZE	
1	1	INTERSTICE VENT (as per ULC Code)	1 1/2"	
3	1	VACUUM GAUGE c/w GUARD & VALVE. (vacuum switch for remote monitoring is OPTIONAL)		
4	1	TANK IDENTIFICATION TAG		
5	4	SADDLES C/W SWIVEL WHEELS RATED FOR 900 LBS	6 in	
6	1	LOCKABLE SPILL BOX C/W PERFORATED TRAY (WITH HANDLES)	14x14x12	

GENERAL NOTES	
DESCRIPTION	
1.	ALL DIMENSIONS in INCHES / mm
2.	VISUAL and 5psig AIR PRESSURE TEST & INSPECTION of TANK WELDS. INTERSTITIAL SPACE KEPT UNDER VACUUM for LEAK MONITORING
4.	TANK NOMINAL DIMENSIONS: 28 in HIGH X 36 in DEEP X 72 LONG.
5.	OPERATING PRESSURE: ATMOSPHERIC
6.	DOUBLE WALL CONFIGURATION
7.	THICKNESS of S.W. SHELLS & CAPS / D.W. SHELL & CAPS & TOP SHELL: (1.09 in) 12 GAUGE / 12 GAUGE & 3/16" TOP
EXTERIOR FINISH:	
- SURFACE PREPARATION (SANDBLAST) to SP-6,	
- 1 x COAT of EPOXY PRIMER	
9.	- 1 x COAT of POLYURETHANE, BROWN (TO BE APPROVED). COMPLETE TANK AND COMPONENTS, EXCEPT WHEELS
INTERIOR FINISH: NONE	
10.	ASSEMBLY WEIGHT - EMPTY / FULL: 750 lbs. / 3375 lbs.

B

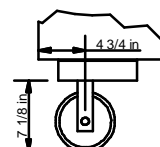
B



DETAIL D - REMOVABLE SCREEN (1/8" HOLES)
SCALE 1 1/91/8" THICK PERFORATED STEEL PLATE

A

A



DETAIL C
OPTIONAL WHEEL DETAIL

- ⊠ PRELIMINARY / PRELIMINAIRE
- CLIENT APPROVAL / APPROBATION PAR CLIENT
- APPROVED FOR CONST. / APPROUVÉ POUR FAB.
- VOID / PÉRIMÉ

DRAWN RR	2012-03-08	H. O. D. LTD	
CHECKED M.D.		TITLE	
APPROVED		1,225 L DOUBLE WALL STEEL TANK	
ED		SIZE B	DWG No. R-20120308-01
TOLERANCE: 1/8"		SCALE	REV See Table
TOLERANCE: 0.5deg			SHEET 1 OF 1

4

3

2

1