

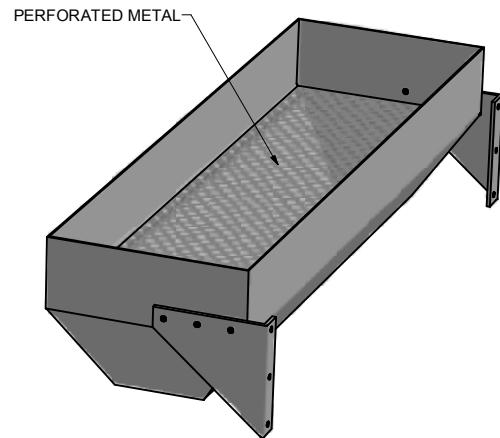
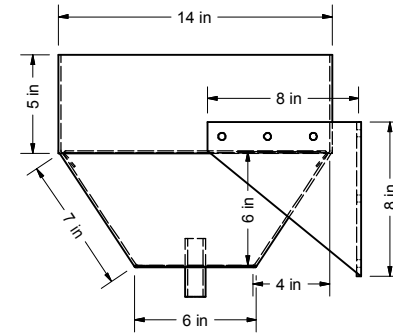
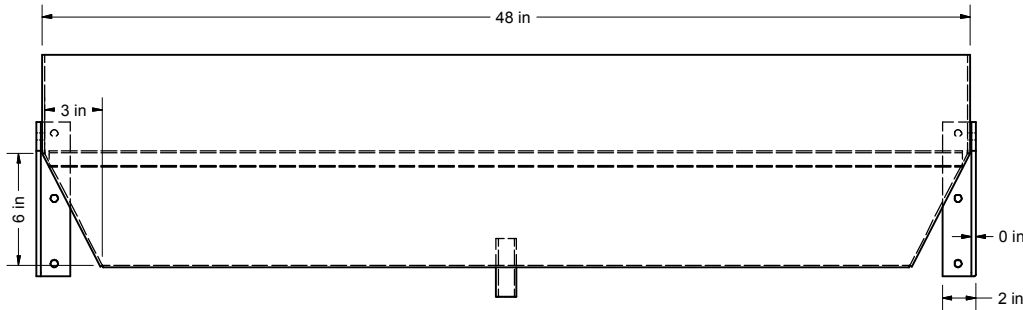


NOTES:

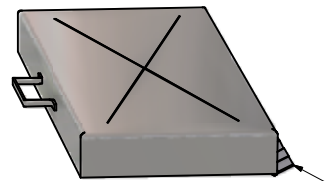
- ALL ALUMINUM CONSTRUCTION 1/8" THICK : WILL NEVER RUST
- CAPACITY OF EACH FUNNEL (UNDER PERFORATED METAL PLATE);
- LENGHT / CAPACITY : 30 / 7 US. GAL.
- 48 / 12 US. GAL.
- 60 / 15 US. GAL.
- 92 / 23 US. GAL.

MODELS AVAILABLE :

FUNNEL LENGHT: 30" / 48" / 60" / 92"
 COVER OPTION: NO HINGES / PIANO HINGES



ASSEMBLY VIEW



COVER

PIANO HINGES AS OPTION

- PRELIMINAIRE / PRELIMINARY
- APPROBATION PAR CLIENT / CLIENT APPROVAL
- APPROUVER POUR FAB. / APPROVED FOR CONST.
- PÉRIMÉ / VOID

DRAWN	E.D.	2007-10-02	H.O.D. Inc.		
CHECKED	A.N.		TITLE		
QA			RECOVERY FUNNEL		
MFG			SIZE	DWG NO	REV
APPROVED			C	E-20071004-01	00
TOLERANCE	Decimal +/-		SCALE		SHEET 1 OF 1
	Fractional +/-				
	Angle +/-				